

NEW
HeliCut
furniture quality in timber construction



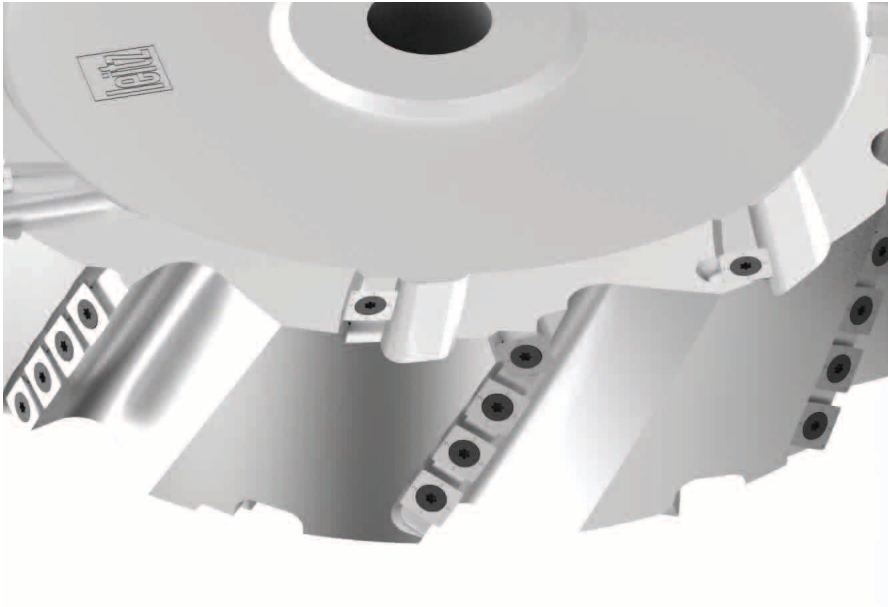
HeliCut cutterhead

For a higher cutting quality and efficiency

Advantages at a glance

- Tear free cutting both with and against feed and when cutting along and across the grain
- 4 performance time with reversible tungsten carbide knives for efficiency and easy handling
- High balance quality aluminium tool body

The new HeliCut cutterhead – furniture quality in timber construction



Quality

- Tear free cutting both with and against feed as well as when cutting along and across the grain
- High balance quality aluminium tool body

Efficiency

- 4 performance time with reversible tungsten carbide knives for efficiency and easy handling

Handling

- Easy to handle when changing knives as a standard knife fixing without wedges

Optimised tenoning joints

The new Leitz HeliCut cutterhead impresses with its excellent cut quality. The tungsten carbide knives give tear free cutting results...

- ... both with and against feed
- ... cutting along and across the grain
- ... and when length processing.



Leitz GmbH & Co. KG
Leitzstraße 2
73447 Oberkochen, Germany
Tel. +49 (0) 7364/950-0
Fax +49 (0) 7364/950-662
leitz@leitz.org
www.leitz.org



We shape the future