

Profile knives for multi-purpose cutterheads

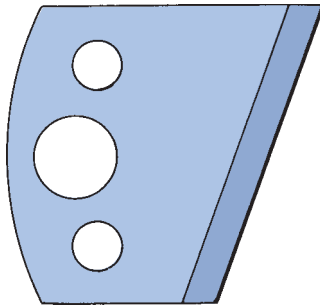
For multi-purpose profile cutterheads:

WM 502-2

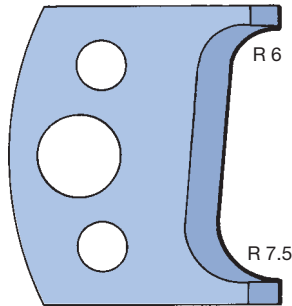
WM 510-1-01

WM 510-1-02

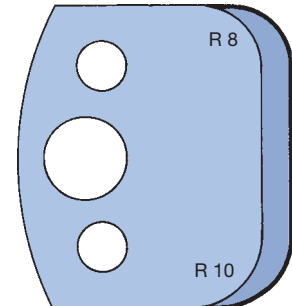
Profiles scale 1:1



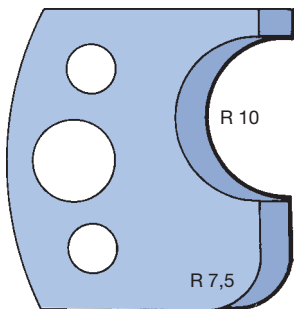
LEN profile 1



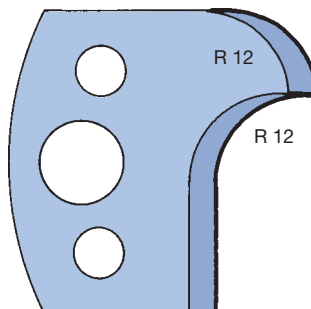
LEN profile 2



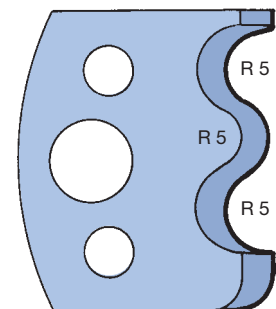
LEN profile 3



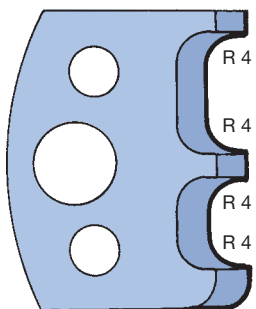
LEN profile 4



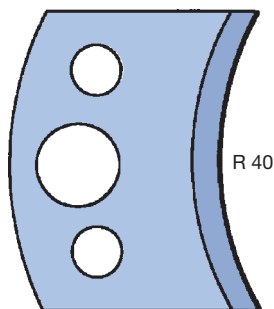
LEN profile 5



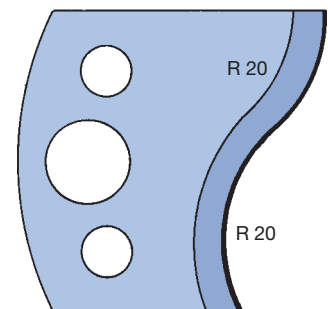
LEN profile 6



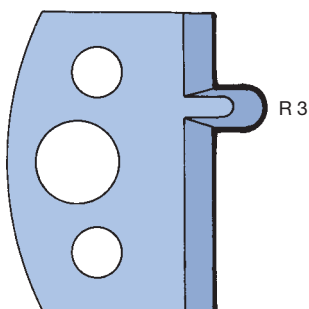
LEN profile 7



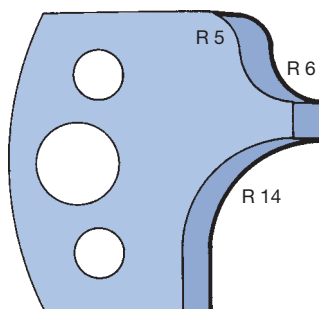
LEN profile 8



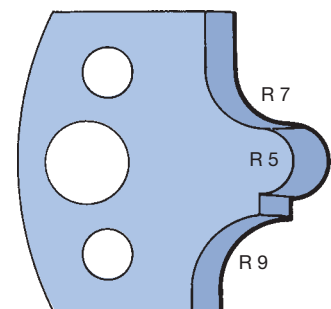
LEN profile 10



LEN profile 10



LEN profile 11



LEN profile 12

Profile knives for multi-purpose cutterheads

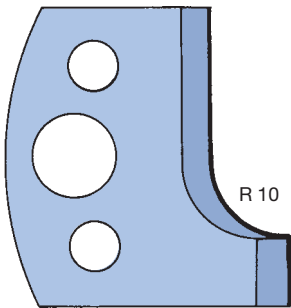
For multi-purpose profile cutterheads:

WM 502-2

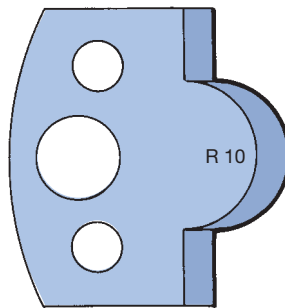
WM 510-1-01

WM 510-1-02

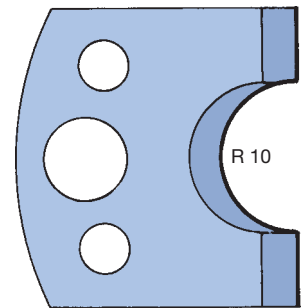
Profiles scale 1:1



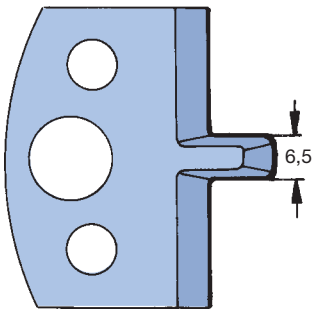
LEN profile 13



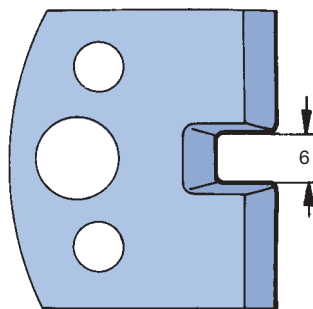
LEN profile 14



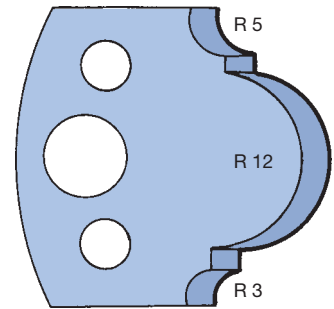
LEN profile 15



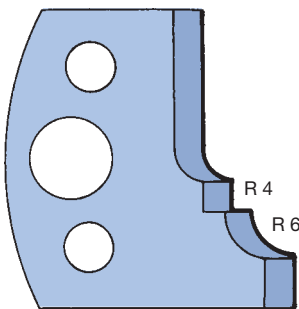
LEN profile 16



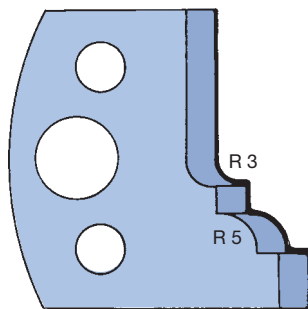
LEN profile 17



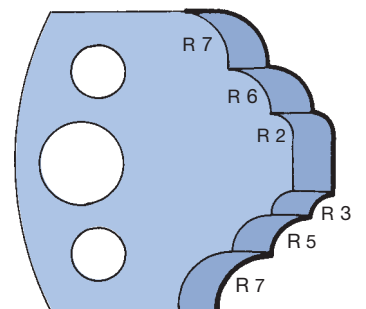
LEN profile 18



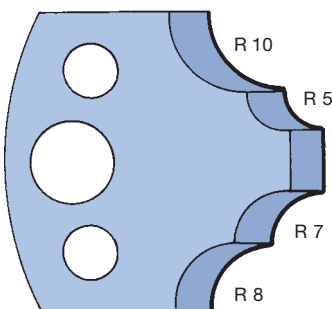
LEN profile 19



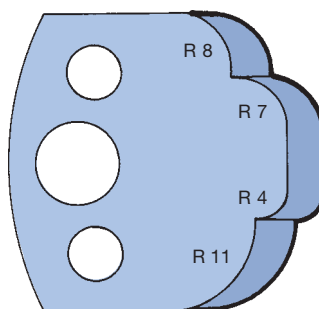
LEN profile 20



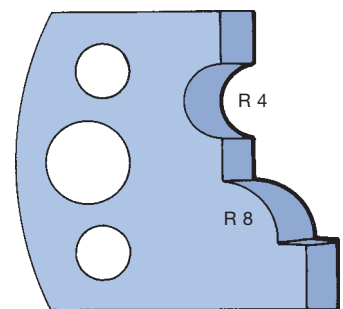
LEN profile 21



LEN profile 22



LEN profile 23



LEN profile 24

Profile knives for multi-purpose cutterheads

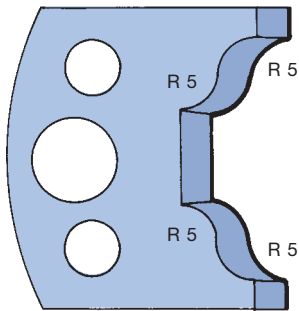
For multi-purpose profile cutterheads:

WM 502-2

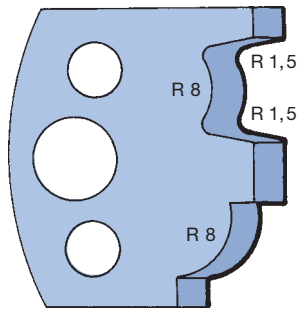
WM 510-1-01

WM 510-1-02

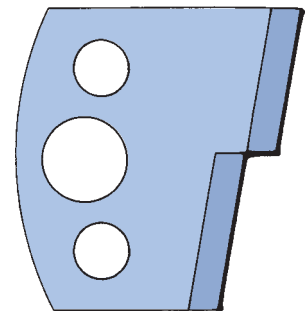
Profiles scale 1:1



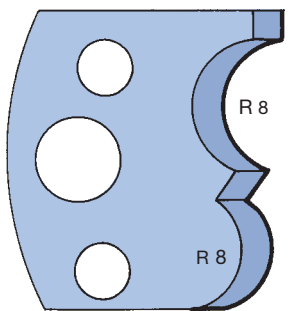
LEN profile 25



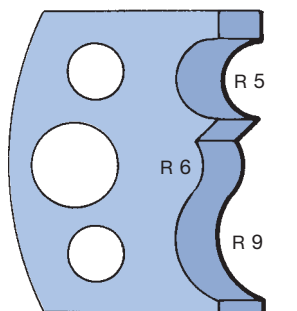
LEN profile 26



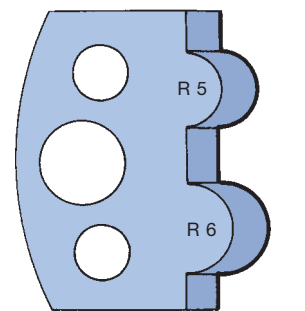
LEN profile 27



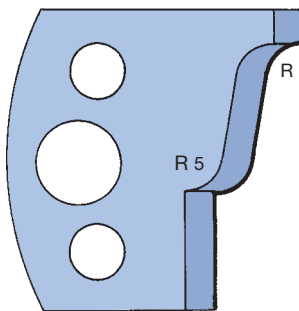
LEN profile 28



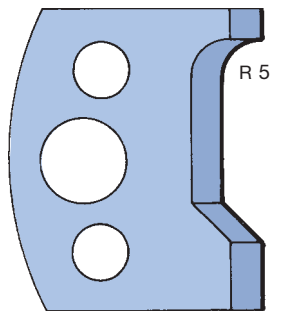
LEN profile 29



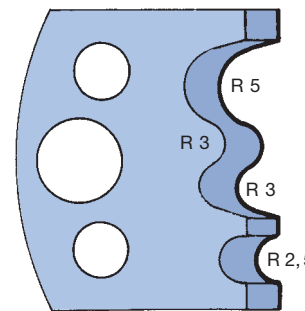
LEN profile 30



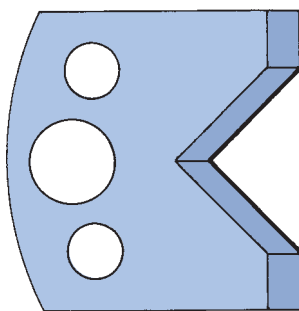
LEN profile 31



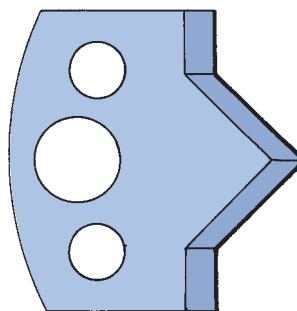
LEN profile 32



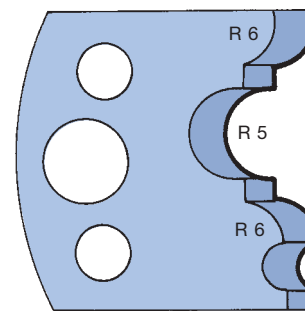
LEN profile 33



LEN profile 34



LEN profile 35



LEN profile 36

Profile knives for multi-purpose cutterheads

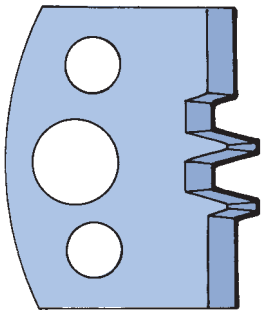
For multi-purpose profile cutterheads:

WM 502-2

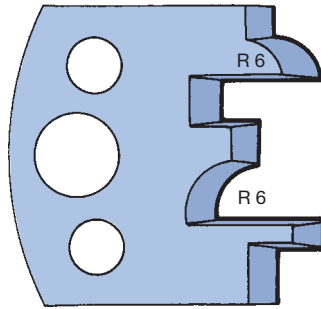
WM 510-1-01

WM 510-1-02

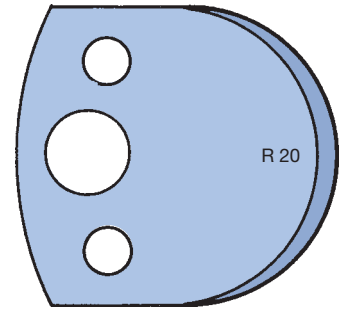
Profiles scale 1:1



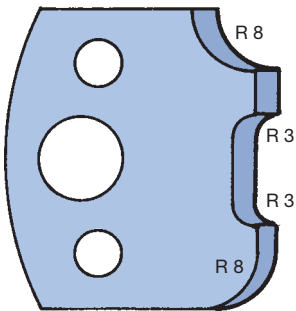
LEN profile 37



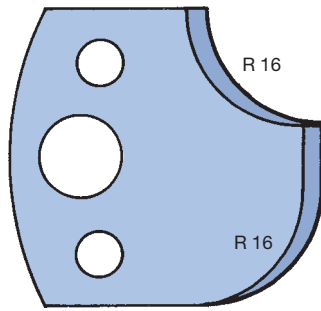
LEN profile 38



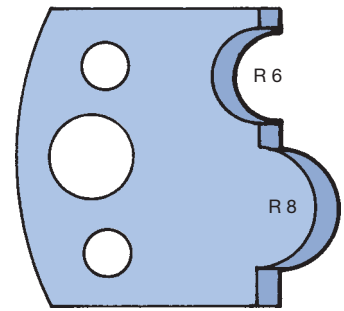
LEN profile 39



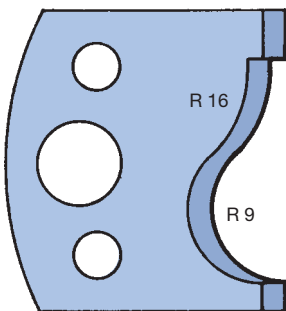
LEN profile 40



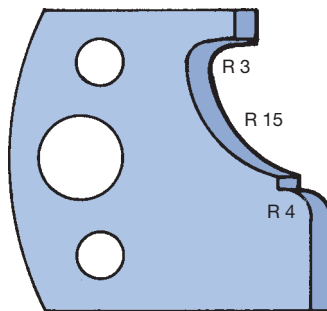
LEN profile 41



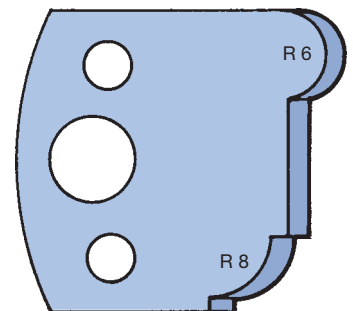
LEN profile 42



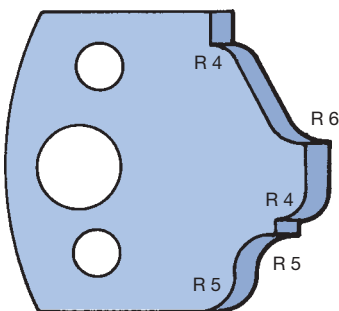
LEN profile 43



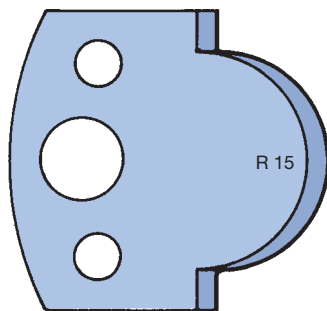
LEN profile 44



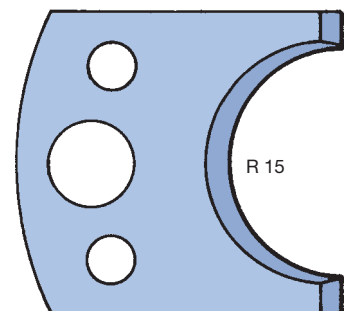
LEN profile 45



LEN profile 46



LEN profile 47



LEN profile 48

Profile knives for multi-purpose cutterheads

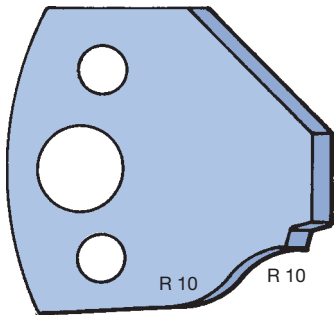
For multi-purpose profile cutterheads:

WM 502-2

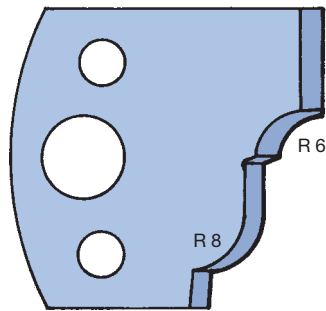
WM 510-1-01

WM 510-1-02

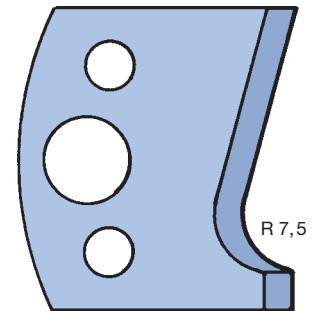
Profiles scale 1:1



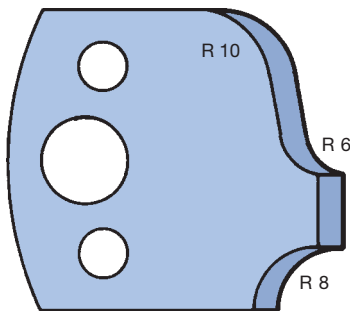
LEN profile 49



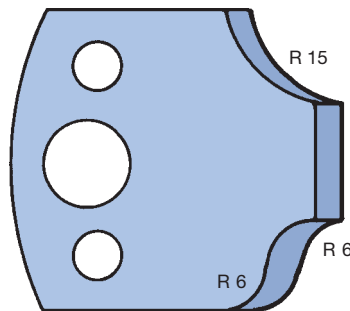
LEN profile 50



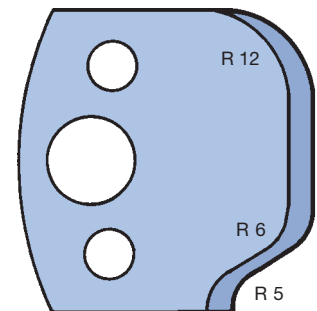
LEN profile 51



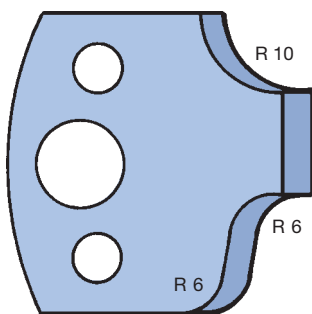
LEN profile 52



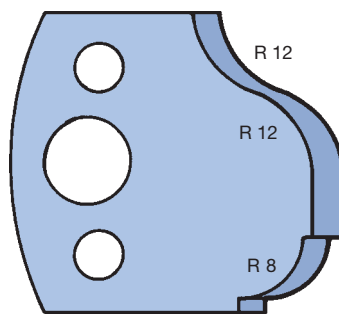
LEN profile 53



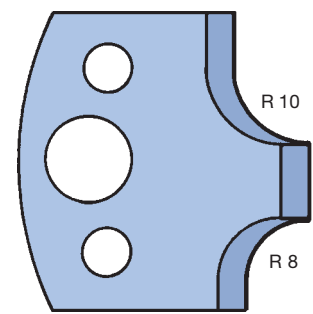
LEN profile 54



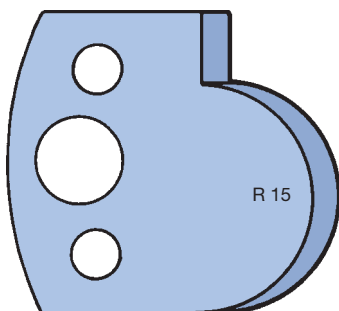
LEN profile 55



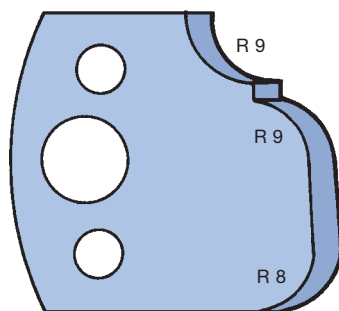
LEN profile 56



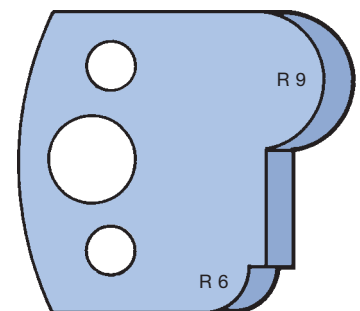
LEN profile 57



LEN profile 58



LEN profile 59



LEN profile 60

Profile knives for multi-purpose cutterheads

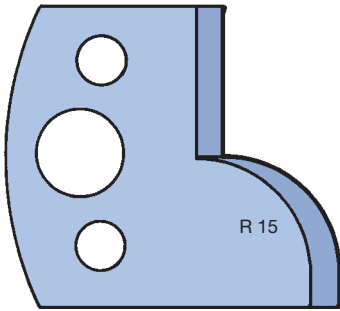
For multi-purpose profile cutterheads:

WM 502-2

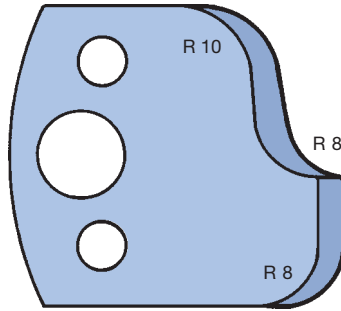
WM 510-1-01

WM 510-1-02

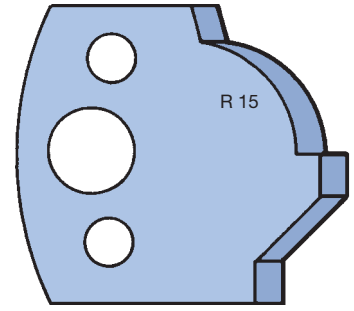
Profiles scale 1:1



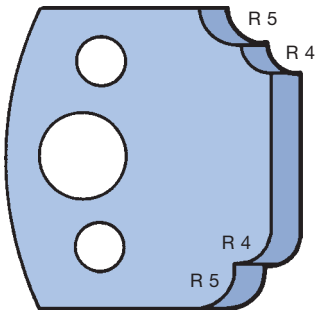
LEN profile 61



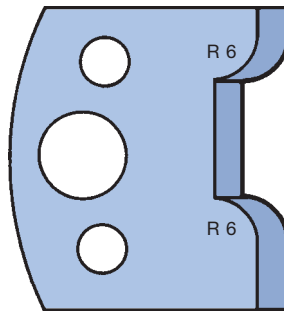
LEN profile 62



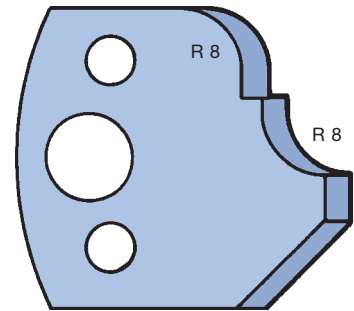
LEN profile 63



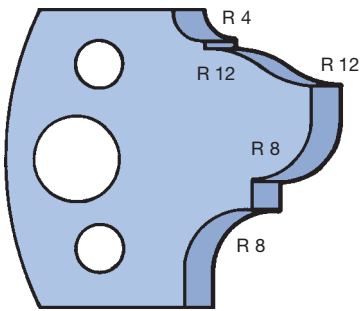
LEN profile 64



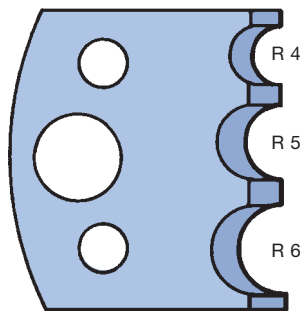
LEN profile 65



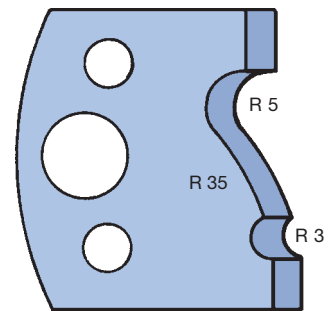
LEN profile 66



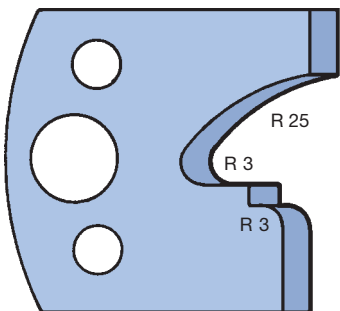
LEN profile 67



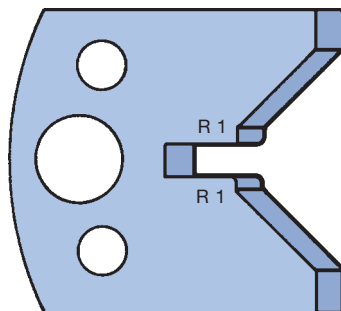
LEN profile 68



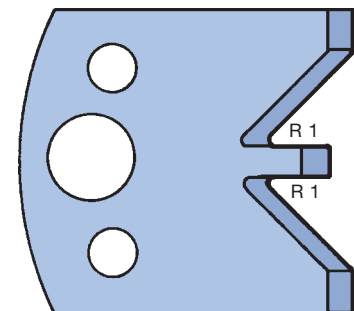
LEN profile 69



LEN profile 70



LEN profile 71



LEN profile 72

Profile knives for multi-purpose cutterheads

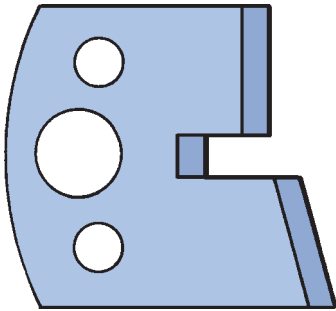
For multi-purpose profile cutterheads:

WM 502-2

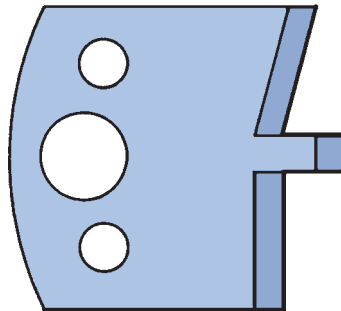
WM 510-1-01

WM 510-1-02

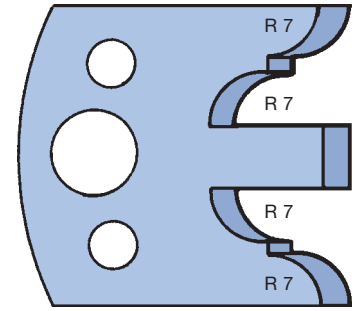
Profiles scale 1:1



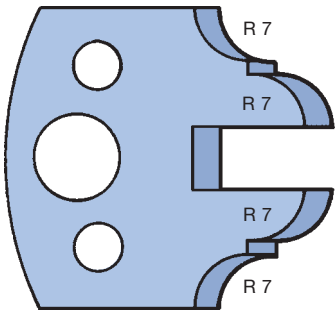
LEN profile 73



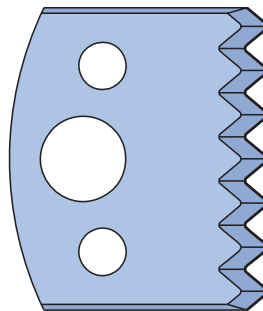
LEN profile 74



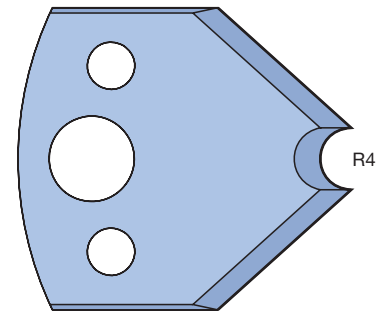
LEN profile 75



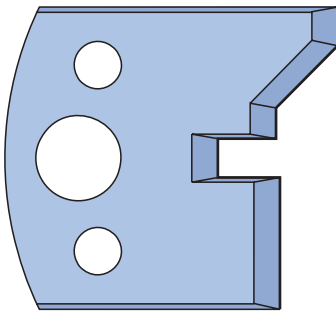
LEN profile 76



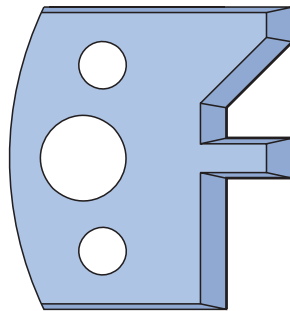
LEN profile 77



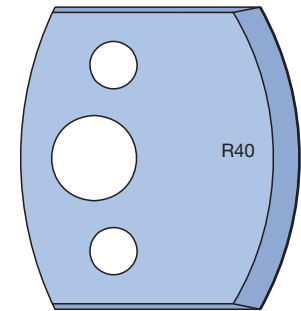
LEN profile 80



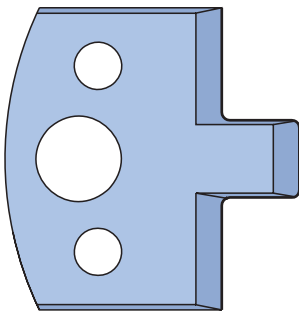
LEN profile 83



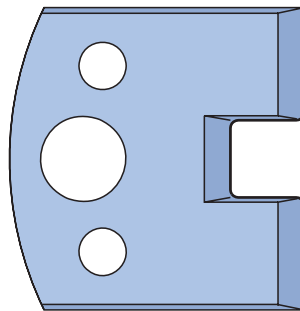
LEN profile 84



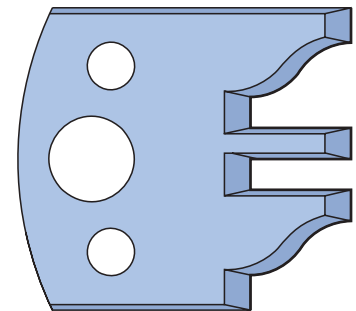
LEN profile 87



LEN profile 91



LEN profile 92



LEN profile 97

Profile knives for multi-purpose cutterheads

For multi-purpose profile cutterheads:

WM 502-2

WM 510-1-01

WM 510-1-02

Profiles scale 1:1

